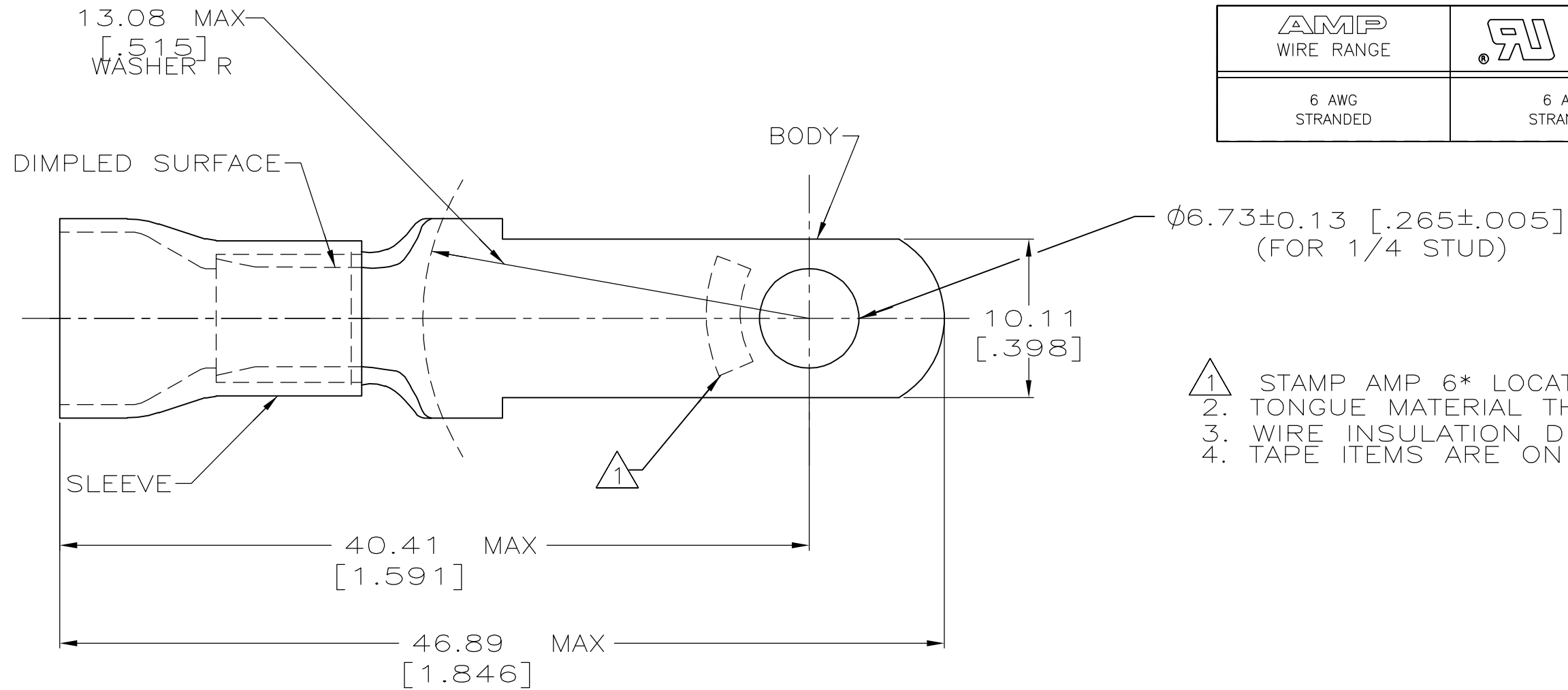


THIS DRAWING IS UNPUBLISHED. RELEASED FOR PUBLICATION, 19
 © COPYRIGHT 19 BY AMP INCORPORATED. ALL INTERNATIONAL RIGHTS RESERVED.

LOC	DIST	P	F	REVISIONS				DATE	APPD
G	14			ZONE	LTR	DESCRIPTION			
					J1	REV PER ECR 06-001832	24APR06	JR TM	

AMP WIRE RANGE	AW FILE E13288	SR LR7189 Certified
6 AWG STRANDED	6 AWG STRANDED	6 AWG STRANDED



- 1. STAMP AMP 6* LOCATE APPROX AS SHOWN
- 2. TONGUE MATERIAL THK 1.14±0.08 [.045±.003]
- 3. WIRE INSULATION DIA 11.43 [.450] MAX
- 4. TAPE ITEMS ARE ON 30.48 [1.200] CENTERS

QTY	PACKAGE TYPE	PART NO
500	ON TAPE	55679-2
100	LOOSE PC	55679-1

AMP INCORPORATED		MAX RECOMMENDED OPERATING TEMPERATURE: 90° C	DO NOT SCALE PRINT. UNLESS SPECIFIED. DIMENSIONS IN mm [INCHES] TOLERANCES ON: 2 PLC DEC ± 0.20 [.008] 3 PLC DEC ± - ANGLES ± -	DR 10-12-93 S.S. GOULDEN	AMP AMP Incorporated Harrisburg, PA 17105-3608
FOR ADDITIONAL PRODUCT INFORMATION OR COPIES OF DRAWINGS AND TECHNICAL DOCUMENTS		VOLTAGE RATING: 600 V MAX	MATERIAL COPPER PER ASTM B-152 PVC, COLOR, BLUE	CHK 10-12-93 R. HERSEY	
FOR APPLICATION TOOLING INFORMATION		CIRCULAR MIL AREA: 10.54-16.77mm ² [20,800-33,100] STRANDED	FINISH TIN PLATE PER MIL-T-10727	APPD 10-12-93 B. BARE	NAME TERMINAL, RING TONGUE, PLASTI-GRIP™, WIRE SIZE, 6 AWG
FOR ORDER ENTRY	1-800-526-5142	THIS DRAWING IS A CONTROLLED DOCUMENT FOR AMP INCORPORATED. IT IS SUBJECT TO CHANGE AND THE CONTROLLING ENGINEERING ORGANIZATION SHOULD BE CONTACTED FOR THE LATEST REVISION.		APPD 10-12-93 M. ELLIS	SIZE B CAGE CODE 00779 DRAWING NO C-55679
				PRODUCT SPEC NOT AVAILABLE	SCALE NTS SHEET 1 OF 1
				APPLICATION SPEC NOT AVAILABLE	
				WEIGHT -	